

Features

The MICROSENS miniature transceiver enables the optical transmission of asynchronous RS-422 signals. It is compliant with the V11 (RS- 422) standard.

Particularly important for industrial use, optical fiber offers immunity against noise and interference of copper and protection against tapping, even at high data rates. Fiber also provides total galvanic isolation between transmitter and receiver.

Available with ST-connectors for optical fiber, the transceiver allows distances of up to 2 km to be covered.

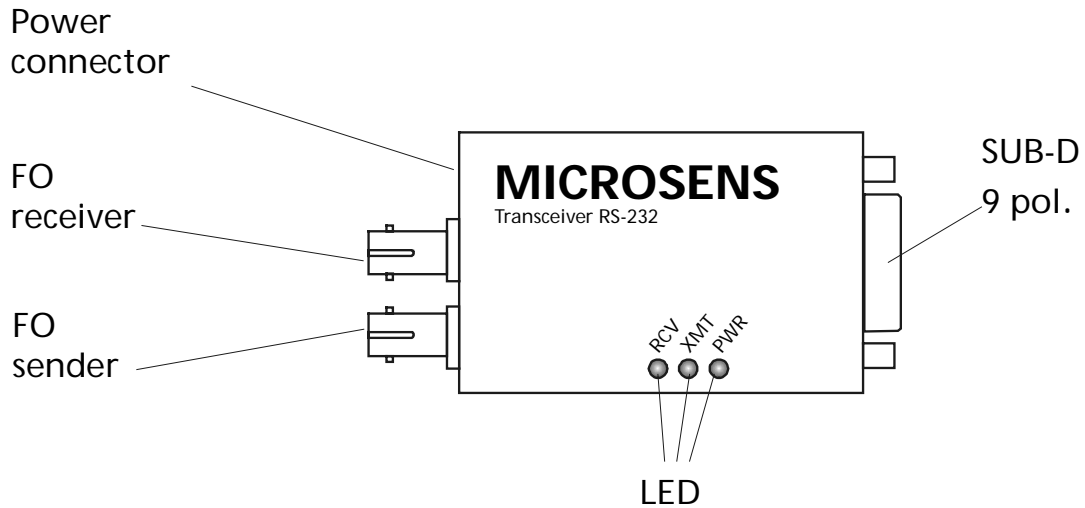
A special version for single mode fiber allows distances up to 5 km to be covered.

The conversion of the interface is transparent so no adaptation to the transferred data rate is necessary. Signal rate can be converted by DC up to the maximum data rate

Technical Specifications

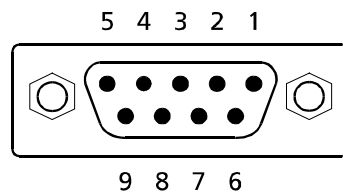
Type	Fiber Optic Miniature Transceiver for RS-422/V.11
Fiber type	Multimode 62,5/125 µm or 50/125 µm duplex, Single mode 9/125 µm with ST-connectors
Cable type	RS422 with SUB-D 9 pol. connector
Data rate	max. 5 Mbps
Opt. power	-17 dBm (850 nm Multimode, typ.) -16 dBm (850 nm Single mode, typ.)
Opt. sensitivity	-27 dBm (typ.)
LED displays	<i>PWR</i> Standby <i>XMT</i> Data transmitted via FO <i>RCV</i> Data received via FO
Power supply	9-12 V DC / max. 200 mA over power supply jack
Operating temperature	0°C to 55°C
Storage temperature	-20°C to 80°C
Rel. humidity	5% to 80% non condensing
Dimensions	44 x 21 x 66 mm (w x h x d)

Connectors



Pin Assignment

The SUB-D socket is used for the connection of the electrical interface RS-422. It has the following assignment:



Pin	Description	Signal	Description
1	-	-	unused
2	Output	RxD+	Received data
3	Input	TxD+	Sent data
4	-	-	unused
5	mass	GND	mass
6	Output	RxD-	Handshake
7	-	-	Handshake
8	Input	TxD-	Handshake
9	Output	+5V	only for active termination

Order information

Art.-Nr.	Description	FO-Connectors
MS650221	Transceiver RS-422 Multimode	2x ST
MS650222	Transceiver RS-422 Single mode	2x ST

MICROSENS does not accept any liability for correctness of this information.
Because of the constant development and improvement of our products MICROSENS reserves the right to make changes without notice at any time. 9821/ba