

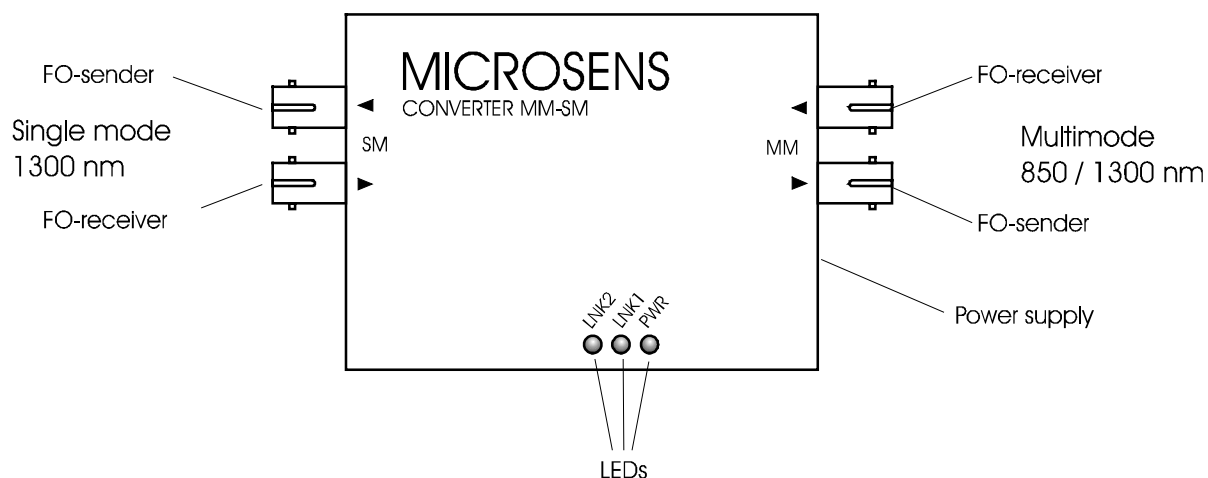
Converter Multimode / Single mode Up to 155 Mbit/s.

MICROSENS

Technical Specifications

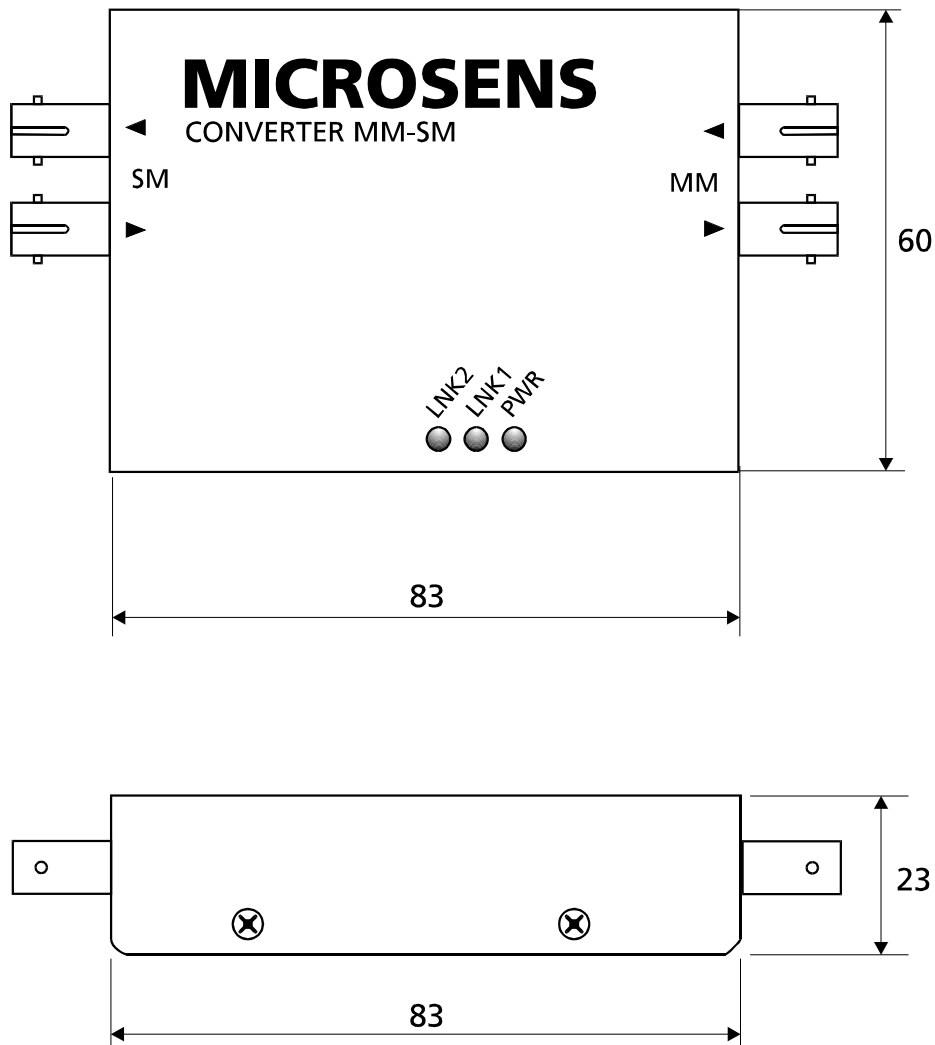
Type	The MICROSENS Multimode / Single Mode Media Converter permits the transparent connection of single mode and multimode optical fibre.	
Fibre type	Multimode 62,5/125µm or 50/125µm duplex, Single mode 9/125 µm, duplex, ST or SC-connector	
Max. data rate	155 Mbps	
Opt. power	-19 dBm (1300nm multimode, typ.) -11 dBm (1300nm single mode, typ.)	
Sensitivity	-31 dBm (typ.)	
LED displays	<i>Power</i>	Power applied <i>Link1</i> Link Multimode <i>Link2</i> Link Single mode
Power supply	5 V DC / max. 1 A	
Operating temperature	0°C to 55°C	
Storage temperature	-20°C to 80°C	
Rel. Humidity	5% to 80% non condensing	

Connectors



Case

The following illustration shows the converter in original size (ST connectors):



Order information

For different applications, the following versions are available:

Art.-No.	Description	Multimode	Single mode
MS410564	Converter MM/SM	1300 nm / ST	1300 nm / ST
MS410565	Converter MM/SM	1300 nm / SC	1300 nm / ST
MS410566	Converter MM/SM	1300 nm / ST	1300 nm / SC
MS410567	Converter MM/SM	1300 nm / SC	1300 nm / SC

MICROSENS does not accept any liability for correctness of this information. Because of the constant development and improvement of our products MICROSENS reserves the right to make changes without notice at any time. 9821/ba